

RH36, MH36,
CO36, DO36

RH/MH Series Oven Ranges


Models:

- RH36 (all versions)
- MH36 (all versions)
- CO36
- DO36

PARTS MANUAL

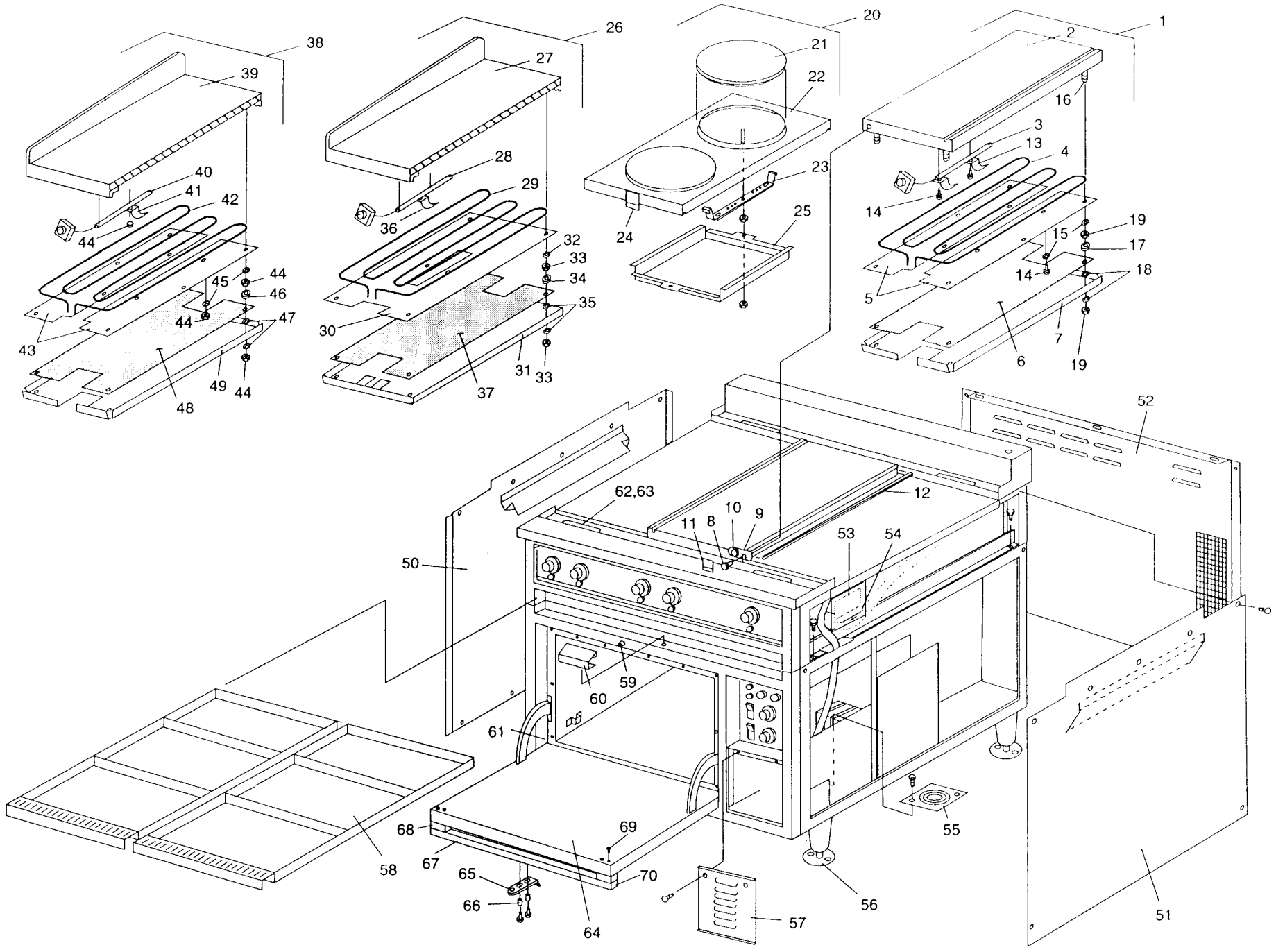
for domestic and standard export oven ranges

© 2000 Toastmaster, A Middleby Company.

 is a registered trademark of Toastmaster, A Middleby Company. All rights reserved.

Middleby Cooking Systems Group • 1400 Toastmaster Drive • Elgin, IL 60120 • (847)741-3300 • FAX (847)741-4406

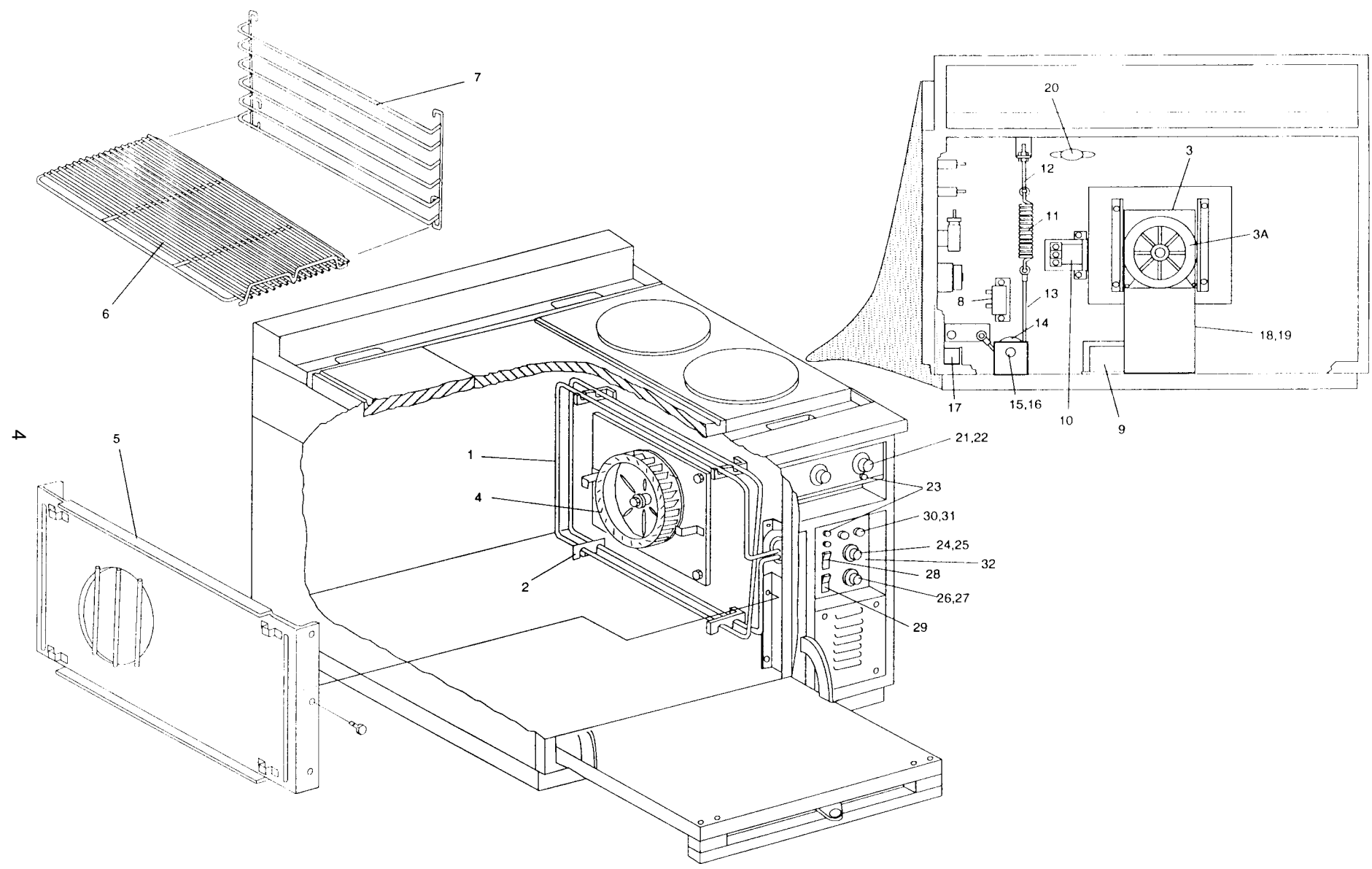
RH36, MH36,
CO36, DO36



Oven Range Overall Parts List

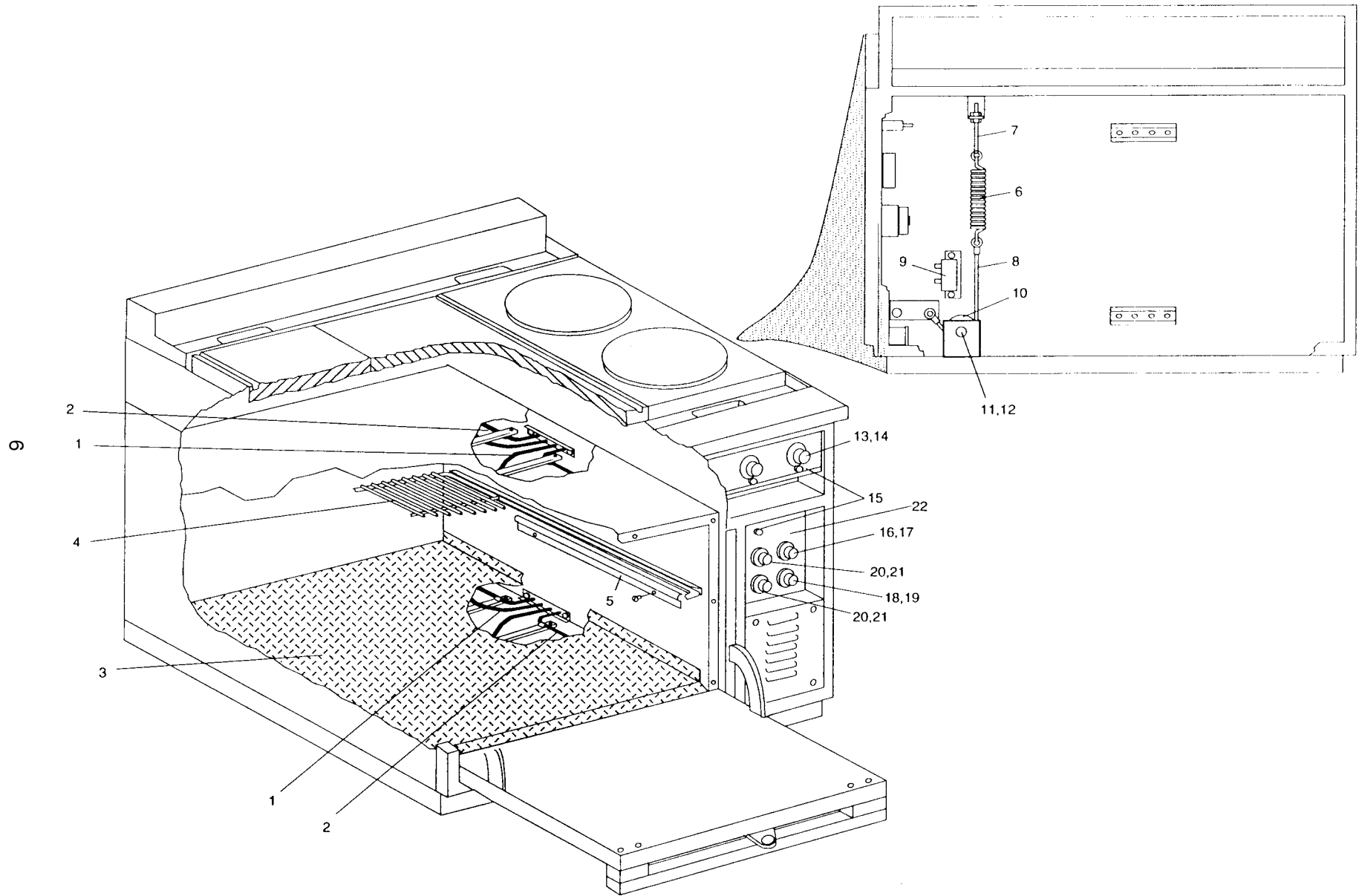
ITEM NO	QTY	PART NO.	DESCRIPTION	ITEM NO	QTY	PART NO.	DESCRIPTION
1	1	7600083	12 x 24 PLATE COMPLETE - RIGHT DRAIN 208V	29	4	7D1E1	ELEMENT 208V
1	1	7600084	12 x 24 PLATE COMPLETE - RIGHT DRAIN 240V	29	4	7D1E29	ELEMENT 240V
1	1	7600086	12 x 24 PLATE COMPLETE - RIGHT DRAIN 480V	29	4	7D1E28	ELEMENT 480V
1	1	7600087	12 x 24 PLATE COMPLETE - LEFT DRAIN 208V	30	4	20G1A37	ELEMENT CLAMP PLATE
1	1	7600088	12 x 24 PLATE COMPLETE - LEFT DRAIN 240V	31	4	20G1A38	ELEMENT BAFFLE
1	1	7600090	12 x 24 PLATE COMPLETE - LEFT DRAIN 480V	32	24	F706A8809	WASHER 11/32 x 1-1/4
1	1	7600074	12 x 24 PLATE COMPLETE - CENTER 208V	33	48	F706A8807	HEX NUT, BRASS 1/4-20
1	1	7600075	12 x 24 PLATE COMPLETE - CENTER 240V	34	24	F706A8811	SPACER
1	1	7600077	12 x 24 PLATE COMPLETE - RIGHT DRAIN 480V	35	28	F706A8805	WASHER 1/4"
1	1	7601872	12 x 24 PLATE COMPLETE - DRAIN BOTH SIDES 208V (USED ON MODELS RH36C7 AND RH36D7)	36	4	7002270	THERMOSTAT BULB CLAMP
1	1	7601873	12 x 24 PLATE COMPLETE - DRAIN BOTH SIDES 240V (USED ON MODELS RH36C7 AND RH36D7)	37	4	8500079	INSULATION
1	1	7601875	12 x 24 PLATE COMPLETE - DRAIN BOTH SIDES 480V (USED ON MODELS RH36C7 AND RH36D7)	38	1	7603538	24 X 24 GRIDDLE PLATE COMPLETE 208V
2	1	20XA1G1	12 x 24 PLATE ONLY DRAIN BOTH SIDES	38	1	7603539	24 X 24 GRIDDLE PLATE COMPLETE 240V
2	2	20A2G8	12 x 24 PLATE ONLY RIGHT OR LEFT	38	1	7603541	24 X 24 GRIDDLE PLATE COMPLETE 480V
2	1	20A2G9	12 x 24 PLATE ONLY CENTER	39	1	7603536	24 X 24 GRIDDLE ONLY
3	3	3004281	THERMOSTAT	40	2	3004257	THERMOSTAT
3	3	2100094	THERMOSTAT KNOB 250°F (121°C)- 850°F (454°C)	41	4	2100059	THERMOSTAT KNOB 150°F (66°C)-450°F (232°C)
4	3	F706A8703	ELEMENT 208V	42	2	F706A1013	THERMOSTAT BULB CLAMP
4	3	F706A8731	ELEMENT 240V	42	2	F706A8703	ELEMENT 208V
4	3	F706A8729	ELEMENT 480V	42	2	F706A8731	ELEMENT 240V
5	6	20A2G1	ELEMENT CLAMP PLATE	42	2	F706A8729	ELEMENT 480V
6	3	8500079	INSULATION	43	4	20A2G1	ELEMENT CLAMP PLATE
7	3	F706A1017	BAFFLE	44	26	B301A8817	HEX NUT 1/4-20
8	4	20A2G7	LATCH SCREW	45	20	F706A8809	WASHER 1-1/4" OD
9	4	20A2G6	LATCH PLATE	46	8	F706A8811	SPACER
10	4	20A1G7	LATCH PIN	47	16	F706A8805	WASHER 1/4"
11	4	34284	CLIP, RETAINING 12 x 24 HOTPLATE	48	2	8500079	INSULATION
12	2	20A1G8	KEY STRIP	49	2	F706A1017	BAFFLE
13	6	F706A1013	BULB CLAMP	50	1	33617	WELDMENT, EXT. PANEL, LEFT HAND
14	27	F716A8803	CAP SCREW 1/4-20 x 3/8	51	1	33618	WELDMENT, EXT. PANEL, RIGHT HAND
15	30	F706A8809	WASHER 1-1/4"	52	1	32849	REAR PANEL
16	12	2001184	STUD 1/4-20 x 1-5/8	53	1	30905	TERMINAL BLOCK, 3 POLE
17	12	F706A8811	SPACER	54	1	33616	PLATE COVER
18	30	F706A8805	WASHER 1/4"	55	1	7007442	KNOCKOUT PLATE
19	24	F706A8807	HEX NUT 1/4-20, BRASS	56	4	MALG06F	KIT, MARINE LEG 6" SS ADJ.
20	1to3	34797	TWIN PLATE ASSEMBLY 208V, 2600W	57	1	7007992	ACCESS PANEL
20	1to3	33850	TWIN PLATE ASSEMBLY 240V, 2600w	58	2	7601840	GREASE DRAWER, HANDLE & ASSEMBLY
20	1to3	34278	TWIN PLATE ASSEMBLY 480V	59	1	32691	LATCH, MARINE
21	2to6	1132B8701	SOLID ROUND HEATING UNIT 208V ECO-2600W	60	2	34743	LATCH, GREASE DRAWER
21	2to6	1132B8703	SOLID ROUND HEATING UNIT 240V ECO-2600W	61	2	34741	RECEIVER FOR LATCH
21	2to6	34127	SOLID ROUND HEATING UNIT 480V ECO-2600W	62	4	33621	DOOR BUSHING
22	1to3	7610114	TWIN PLATE PANEL	62	4	7610657	WELDMENT, SPOUT GREASE
23	1to3	1132B8901	RETAINER BAR MOUNTING BRACKET	63	4	2700090	GASKET, SPOUT GREASE
24	2to6	34285	RETAINING CLIP	64	1	33693	ASSEMBLY, DOOR
25	1to3	30999	BOTTOM, PLATE	65	1	32692	PLATE, LATCH
26	1	20G1A32	36 x 24 GRIDDLE PLATE COMPLETE 208V	66	2	34081	SPACER, STEPPED - MARINE LATCH
26	1	20G1A302	36 x 24 GRIDDLE PLATE COMPLETE 240V	67	1	32572	ASSEMBLY, HANDLE DOOR
26	1	20G1A306	36 x 24 GRIDDLE PLATE COMPLETE 480V	68	2	3103164	SPACER, DOOR & DRAWER HANDLE
27	1	20G1A36	36 x 24 GRIDDLE PLATE ONLY	69	4	2000320	HANDLE SCREWS 10/32 x 3-1/2
28	4	3004257	THERMOSTAT	70	2	3000058	BLACK HANDLE PLUG
4	4	2100059	THERMOSTAT KNOB 150°F (66°C)-450°F (232°C)			31795	DECAL RH36C3,RH36D3 CONTROL PANEL (Not Shown)
						31796	DECAL RH36C4,RH36D4 CONTROL PANEL (Not Shown)
						31794	DECAL RH36C2&C6,RH36D2&D6 CONTROL PANEL (Not Shown)
						31793	DECAL RH36C1&C7,RH36D1&D7 CONTROL PANEL (Not Shown)
						30926	CONTROL PANEL RH36D4
						31623	CONTROL PANEL RH36C3

RH36, MH36,
CO36, DO36



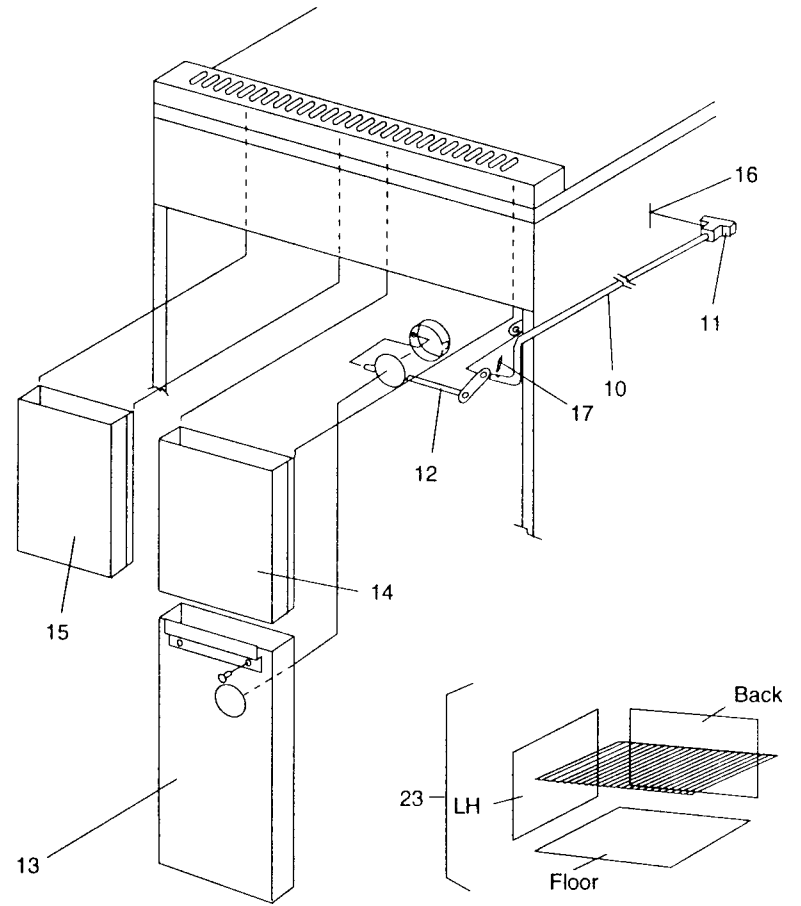
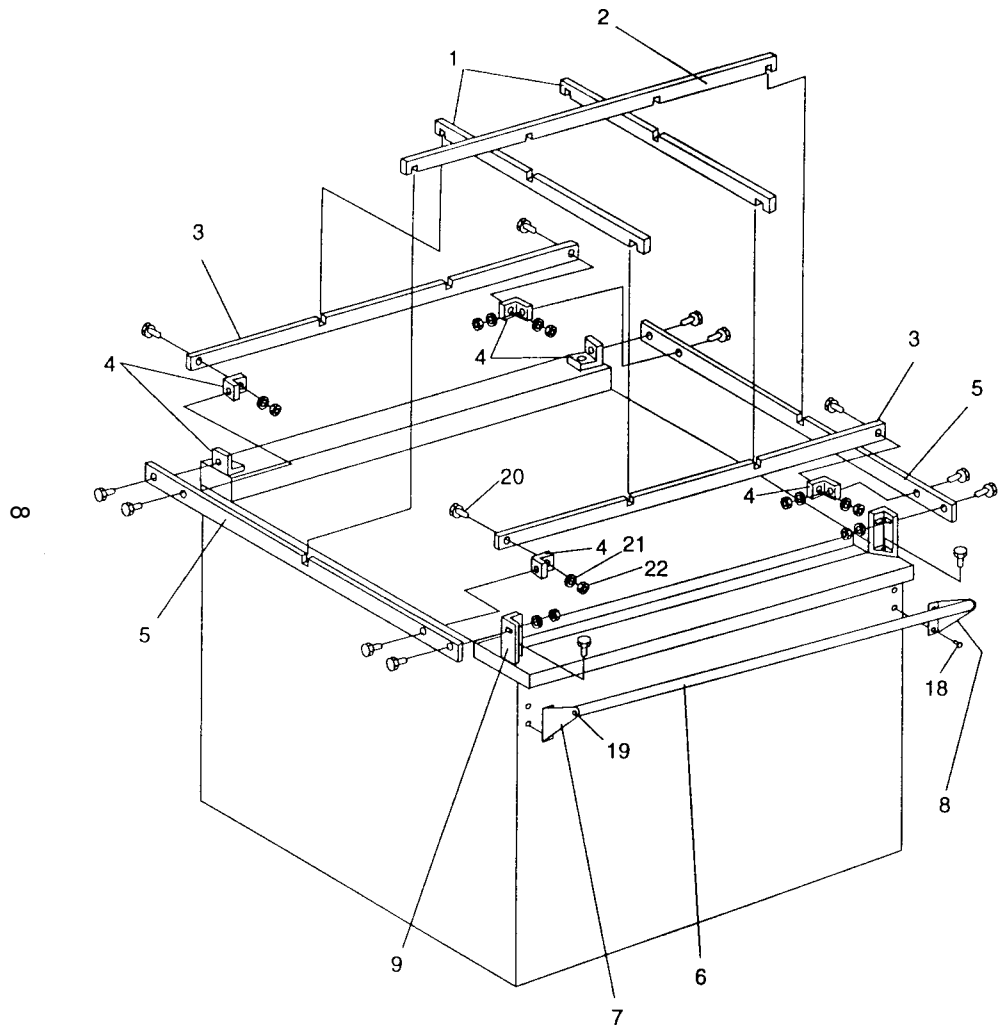
Convection Oven Parts List

ITEM NO	QTY	PART NO.	DESCRIPTION
1	1	3027A8701	ELEMENT 6000W-208V
1	1	3027A8711	ELEMENT 6000W-240V
1	1	3027A8709	ELEMENT 6000W-480V
2	4	3027A3083	ELEMENT SUPPORT
3	1	30919	MOTOR BLOWER & ASSEMBLY 240V-480V
3A	1	3002761	BLOWER MOTOR ONLY 208V-240V
4	1	3103902	BLOWER WHEEL
5	1	7610513	ELEMENT COVER, BLOWER BAFFLE
6	3	3102541	SHELF ASSEMBLY
7	2	3102540	SIDE RACK
8	1	30905	TERMINAL BLOCK, 3 POLE
9	1	28082-0010	TRANSFORMER 480V ONLY
10	1	34401	CONTACTOR 208V-240V COIL
11	1	30368	DOOR SPRING
12	1	43685	EYE BOLT
13	1	30369	CABLE ASSEMBLY
14	1	7007809	PULLEY
15	1	30359	AXLE
16	2	3102937	RETAINER RING
17	1	3003770	MICRO SWITCH
18	1	32762	MOTOR DUCT
19	1	34404	MOTOR DUCT SEAL
20	1	30519	HIGH LIMIT SENSOR
21	A/R	32941	SWITCH 3HT
22	A/R	33365	KNOB SWITCH
23	A/R	33413	SIGNAL LIGHT, GREEN 250V
23	A/R	33414	SIGNAL LIGHT, AMBER 250V
23	A/R	33415	SIGNAL LIGHT, WHITE 250V
23	A/R	33417	SIGNAL LIGHT, GREEN 480V
23	A/R	33418	SIGNAL LIGHT, AMBER 480V
23	A/R	33419	SIGNAL LIGHT, WHITE 480V
24	1	2662A8701	THERMOSTAT, C.O. OVEN 150°F (66°C)-450°F (232°C)
25	1	A710E8771	THERMOSTAT KNOB, C.O. OVEN 150°F (66°C)-450°F (232°C)
26	1	3004536	TIMER
27	1	2100088	OVEN TIMER KNOB
28	1	33436	SWITCH, ROCKER, DP/ST
29	1	33437	SWITCH, ROCKER DP/DT
30	2	1455A0341	FUSE HOLDER ASSEMBLY 480V
30	2	1455A0339	FUSE HOLDER ASSEMBLY 240V
31	2	1455A8793	FUSE 240V-10A
31	2	1455A8794	FUSE 480V-10A
32	1	31783	DECAL CONTROL PANEL (Not Shown)



**DeckOven
Parts Llist**

ITEM NO	QTY	PART NO.	DESCRIPTION
1	2	3001761	INNER ELEMENT 1500W-208V
1	2	3001762	INNER ELEMENT 1500W-240V
1	2	3001764	INNER ELEMENT 1500W-480V
2	2	3001765	OUTER ELEMENT 1500W-208V
2	2	3001766	OUTER ELEMENT 1500W-240V
2	2	3001768	OUTER ELEMENT 1500W-480V
3	1	30692	OVEN DECK
4	1	30372	OVEN SHELF
5	1	3024A3217	GUARD THERMOSTAT BULB
6	1	30368	SPRING, DOOR
7	1	43685	EYEBOLT
8	1	30369	CABLE ASSEMBLY
9	1	30905	TERMINAL BLOCK, 3 POLE
10	1	7007809	SHEAVE, 3/16 DIA. CABLE (PULLEY)
11	1	30359	AXLE
12	2	3102937	RETAINER RING
13	2to6	32941	SWITCH 3HT
14	2to6	33365	KNOB SWITCH
15	A/R	33413	SIGNAL LIGHT, GREEN 250V
15	A/R	33414	SIGNAL LIGHT, AMBER 250V
15	A/R	33417	SIGNAL LIGHT, GREEN 480V
15	A/R	33418	SIGNAL LIGHT, AMBER 480V
16	1	3004238	THERMOSTAT DECK OVEN
17	1	A710E8739	THERMOSTAT KNOB DECK OVEN 200°F-550°F
18	1	3004536	TIMER
19	1	210088	KNOB, TIMER
20	2	32941	SWITCH 3HT
21	2	33365	KNOB SWITCH
22	1	31784	DECAL CONTROL PANEL DECK OVEN



Vents & Marine Rails Parts List

ITEM NO	QTY	PART NO.	DESCRIPTION
1	2	33194	RAIL, SEA FRONT TO BACK LOOSE
2	1	33195	RAIL, SEA LEFT TO RIGHT LOOSE
3	2	20A2C77	RAIL, SEA FIXED RIGHT LEFT
4	6	20A2C76	ANGLE, SEA RAIL SECURITY
5	2	20A2C75	RAIL, SEA FIXED FRONT BACK
6	1	20A2C82	RAIL, HAND
7	1	7001408	BRACKET, RAIL LT MARINE
8	1	7001409	BRACKET, RAIL RT MARINE
9	2	7004267	POST, SEA RACKS
10	1	7000071	ROD, VENT RA
11	1	2100053	KNOB, VENT "T" PULL/OPEN
12	1	7610705	WELDMENT, FLAP VENT
13	1	30412	WELDMENT, FLUE - OVEN SECTION
14	1	30415	WELDMENT, FLUE - TOP SECTION
15	1	32792	WELDMENT, FLUE - TOP SECTION
16	1	2002305	VENT KNOB PIN
17	1	18A12	COTTER PIN
18	4	2000552	SCREW 5/16-18 x 3/4
19	2	4113A8801	SCREW FHM 1/4-20 x 1/2
20	16	2281	SCREW 5/16-18 x 7/16
21	16	4039A8803	LOCKWASHER 5/16
22	12	1411D8815	HEX NUT 5/16-18
23	1	34518	STAINLESS STEEL LINER KIT

WARNING

Improper installation, adjustment, alteration, service or maintenance can cause property damage, injury or death. Read the installation, operating and maintenance instructions thoroughly before installing or servicing this equipment.

NOTICE

During the warranty period, ALL parts replacement and servicing should be performed by your Toastmaster Authorized Service Agent. Service that is performed by parties other than your Toastmaster Authorized Service Agent may void your warranty.

NOTICE

Using any parts other than genuine Toastmaster factory manufactured parts relieves the manufacturer of all warranty and liability.

NOTICE

Toastmaster reserves the right to change specifications at any time.

**RH36, MH36,
CO36, DO36**

Middleby Cooking Systems Group • 1400 Toastmaster Drive • Elgin, IL 60120 • USA • (847)741-3300 • FAX (847)741-4406

24-Hour Service Hotline: 1-(800)-238-8444

www.middleby.com

Toastmaster®

 **THE MIDDLEBY CORPORATION**